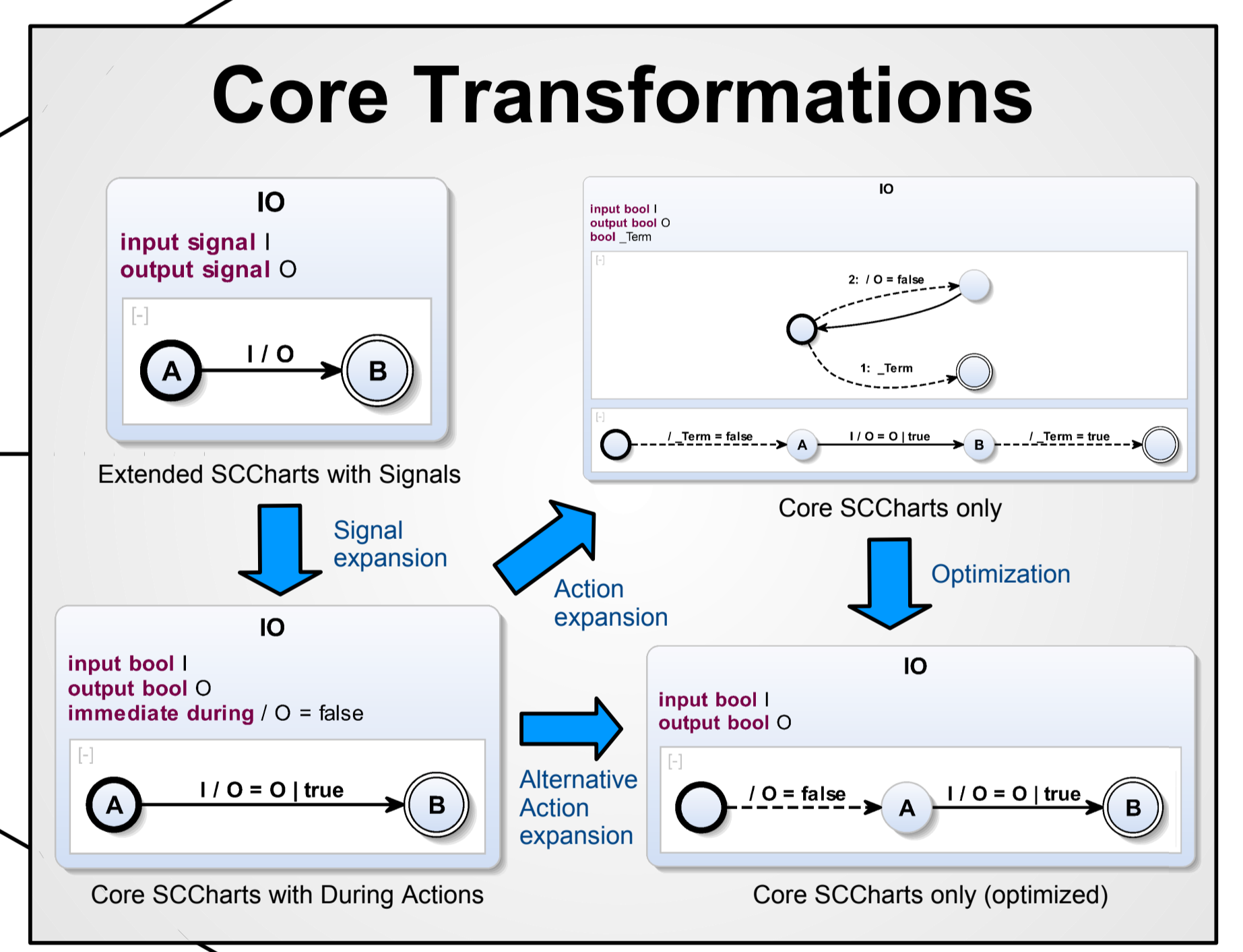
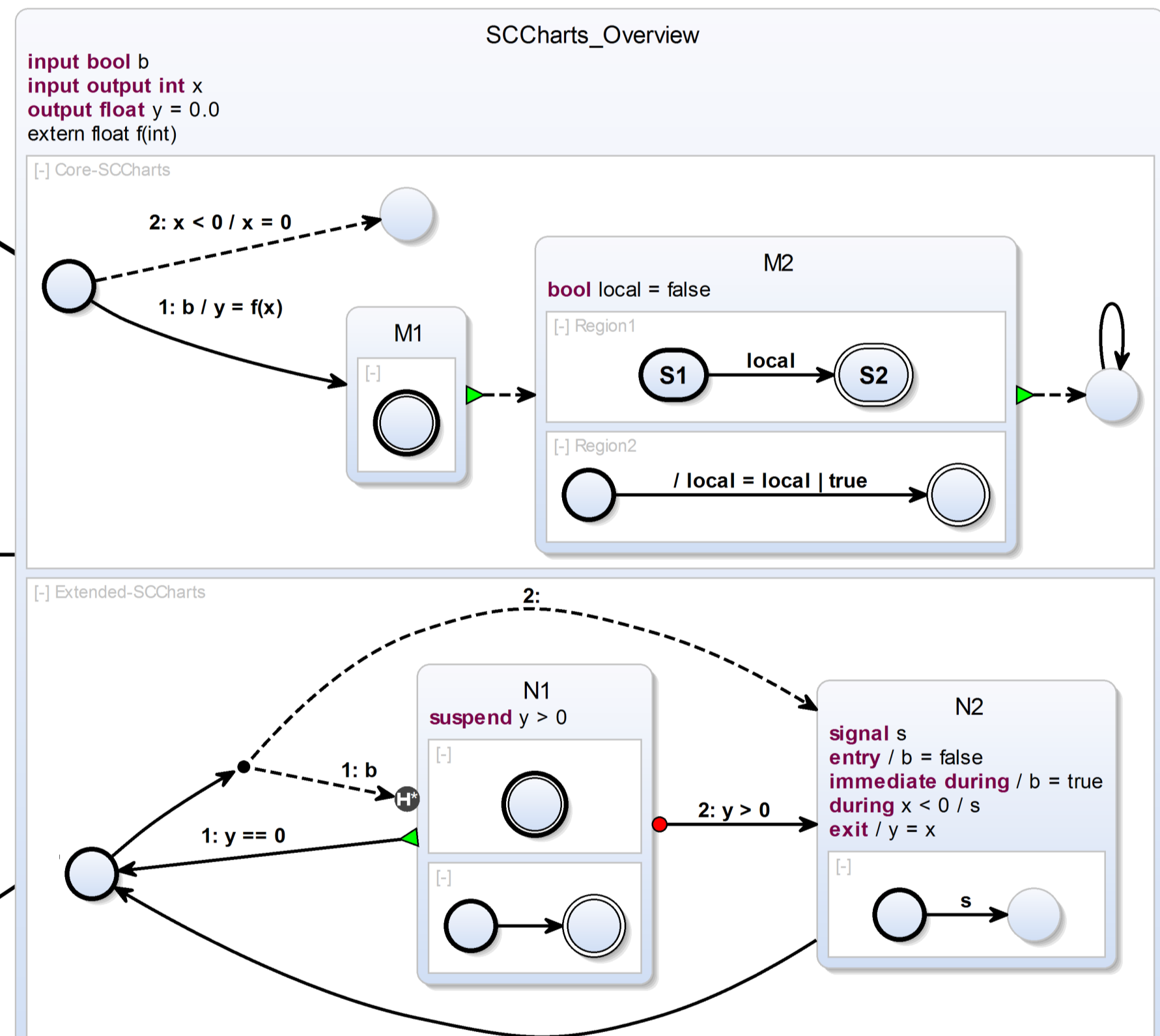
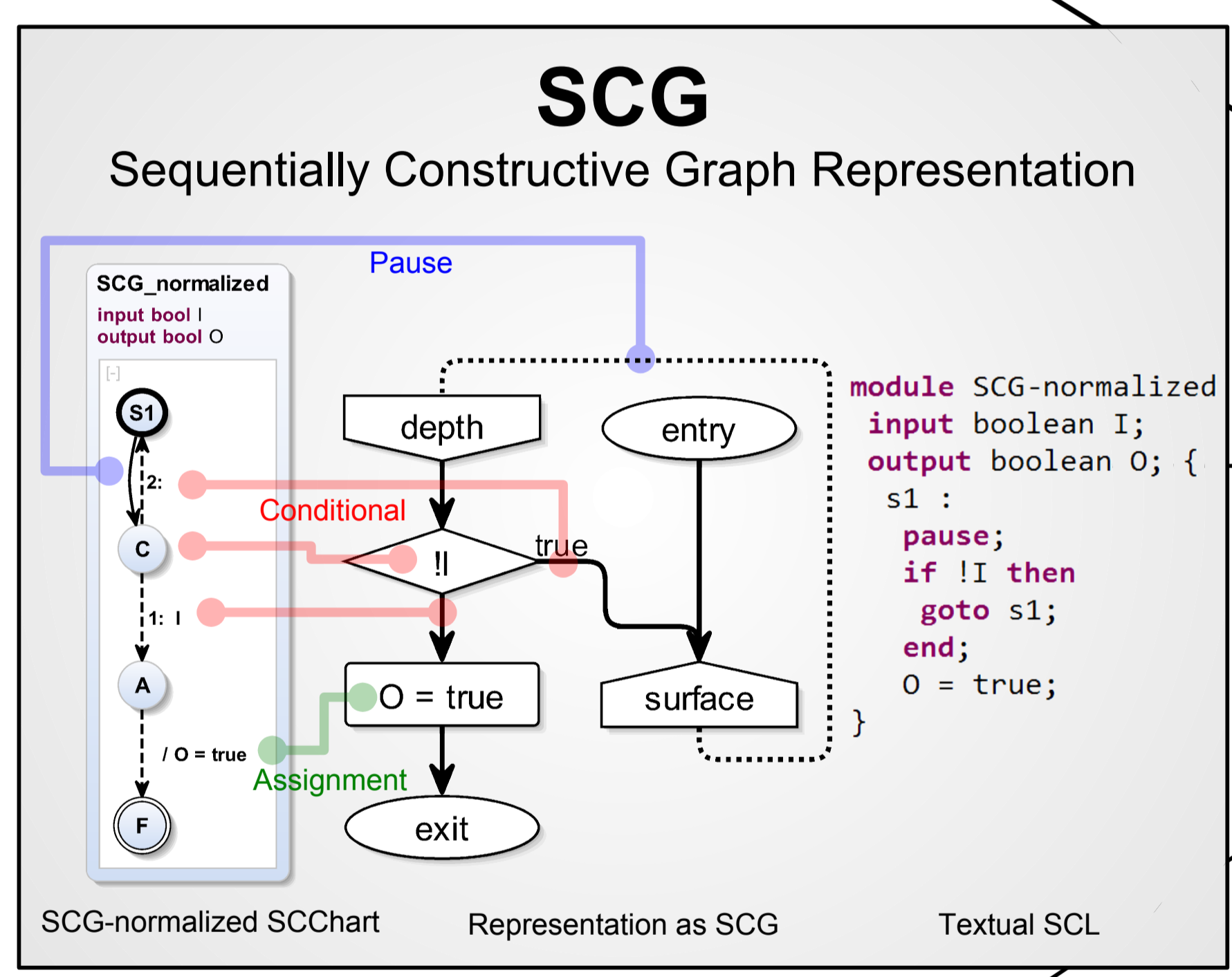
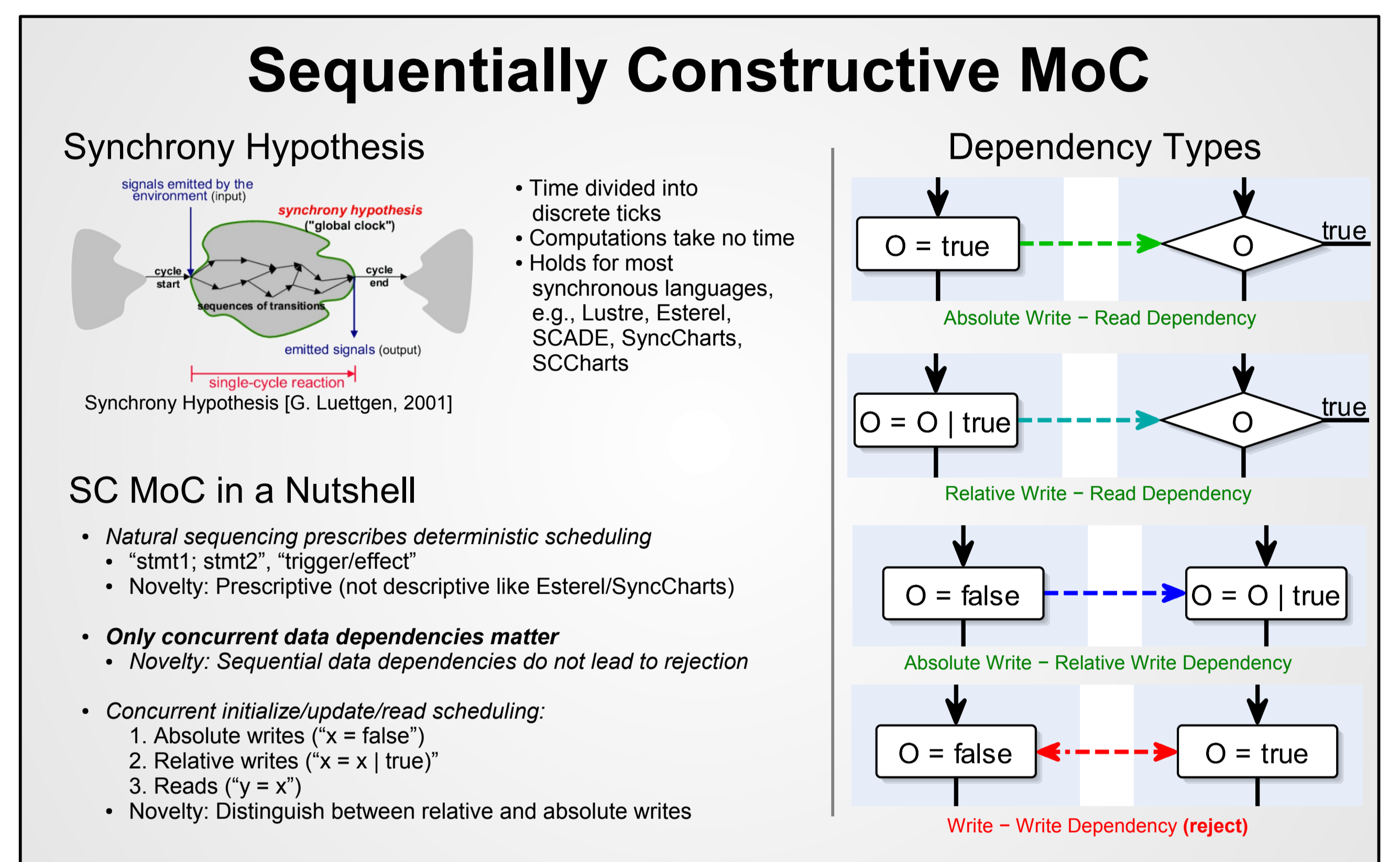
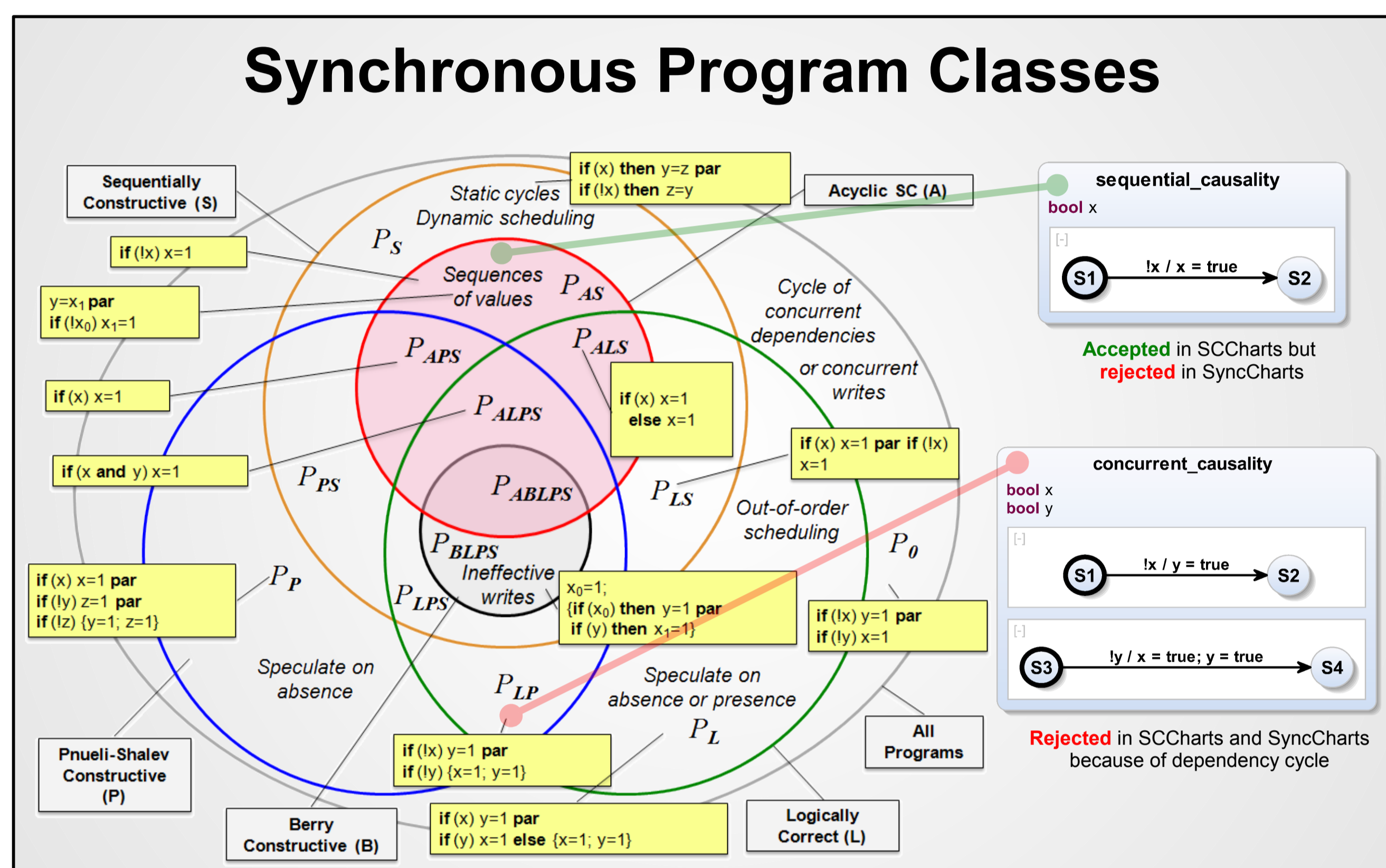


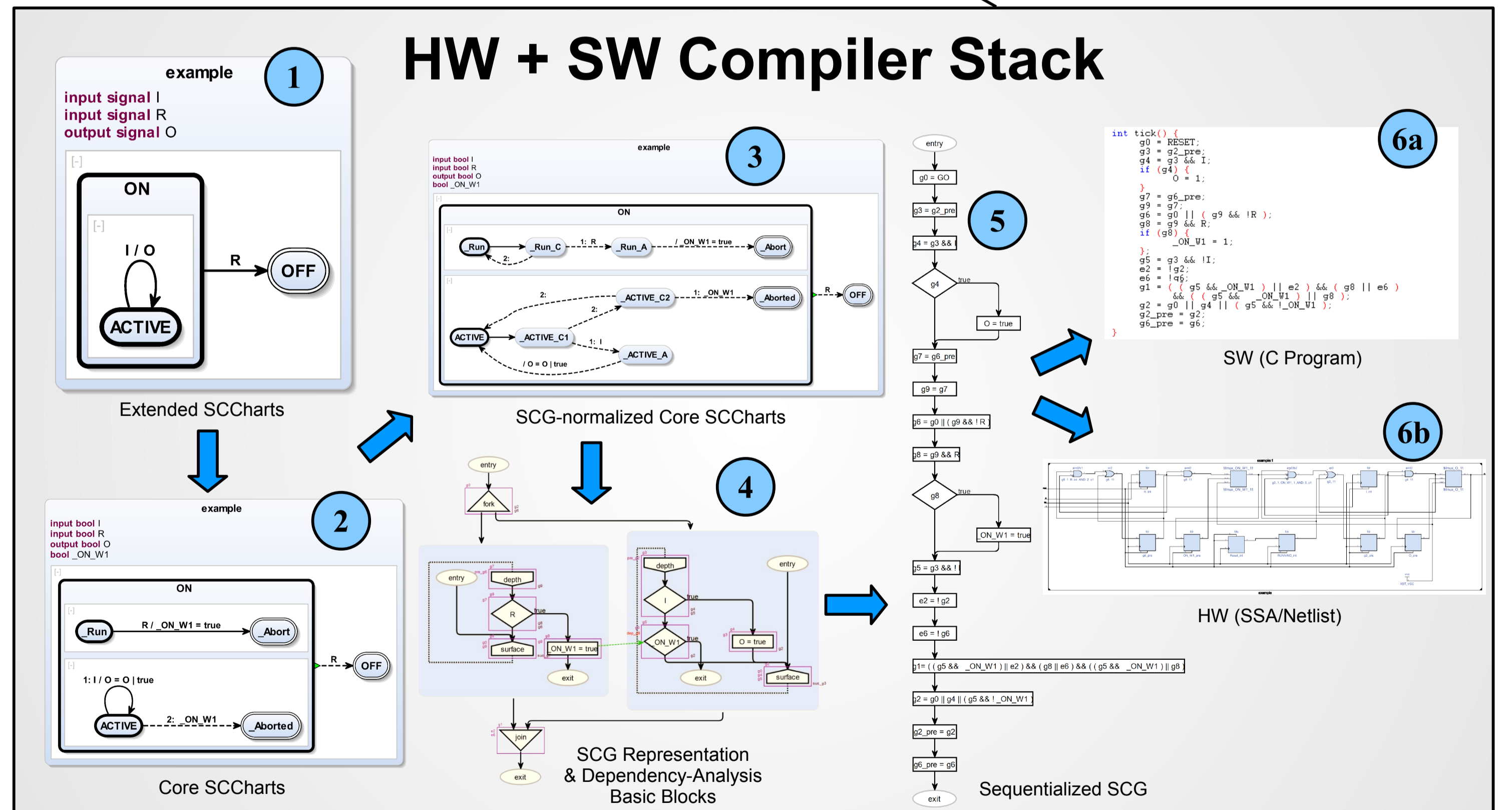
SCCharts

Sequentially Constructive Charts



Fundamental Concepts

Concept	State (Delay)	Macrostate (Concurrency)	Region (Thread)	Trigger (Conditional)	Effect (Assignment)
SCCharts					
SCL	pause	fork t_1 par t_2 join	t	if (c) s_1 else s_2	$x = e$
SCG	surface	fork	entry	c	$x = e$
SSA	$g_{depth} = \text{pre}(g_{surf})$	$g_{join} = (e_1 \vee d_1) \wedge (e_2 \vee d_2) \wedge (d_1 \vee d_2)$	$d = g_{exit}$ $e = \neg \vee g_{surf}$ $c = \neg \vee t$	$g = \vee g_{surf}$ $g_{surf} = g \wedge c$ $g_{surf} = g \wedge \neg c$	$g = \vee g_{surf}$ $x' = g ? e : x$
Data-Flow Code					
Circuits					



Contact:
Prof. Dr. Reinhard von Hanxleden,
Christian Motika, Steven Smyth
Department of Computer Science
Christian-Albrechts-Universität zu Kiel
Olshausenstr. 40
24098 Kiel, Germany
Phone: +49 (0) 431 880-7282 /-7526
Fax: +49 (0) 431 880-7615
rvh@cnot.ssm@informatik.uni-kiel.de
www.informatik.uni-kiel.de/rtsys

Prof. Dr. Michael Mendler
Department of Computer Science
Universität Bamberg
An der Weberei 5
96047 Bamberg, Germany
Phone: +49 (0) 951 863-2828
Fax: +49 (0) 951 863-1200
michael.mendler@uni-bamberg.de
www.gdi.uni-bamberg.de/
personnel/mendler

External Funding:



German Research Foundation,
PRETSY Project
dfg.de
pretsy.org



National Instruments
ni.com

Further Information:

<http://www.informatik.uni-kiel.de/rtsys/kieler>

- Reinhard von Hanxleden and Michael Mendler and Joaquin Aguado and Björn Dürerstadt and Insa Fuhrmann and Christian Motika and Stephen Mercer and Owen O'Brien. Sequentially Constructive Concurrency—A Conservative Extension of the Synchronous Model of Computation. In Proceedings of the Design, Automation and Test in Europe Conference (DATE 13), Grenoble, France, 2013. IEEE.
- Reinhard von Hanxleden. SyncCharts in C—a proposal for light-weight, deterministic concurrency. In Proceedings of the International Conference on Embedded Software (EMSOFT 09), Grenoble, France, October 2009.
- Christian Motika and Reinhard von Hanxleden and Mirko Heindl. Programming Deterministic Reactive Systems with Synchronous Java (Invited Paper). In Proceedings of the 9th Workshop on Software Technologies for Future Embedded and Ubiquitous Systems (SEUS 2013), IEEE Proceedings, Paderborn, Germany, 17/18 2013.
- Reinhard von Hanxleden and Edward A. Lee and Christian Motika and Hauke Fuhrmann. Multi-View Modeling and Pragmatics in 2020 - Position Paper on Designing Complex Cyber-Physical Systems. In Proceedings of the 7th International Monterey Workshop on Development, Operation and Management of Large-Scale Complex IT Systems, LNCS, volume 7539 of, Oxford, UK, 19-21 2012.