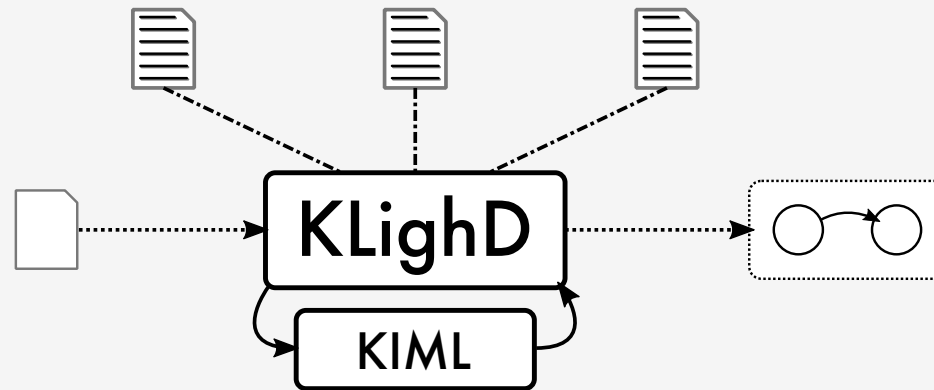




KIELER Lightweight Diagrams (KLighD)



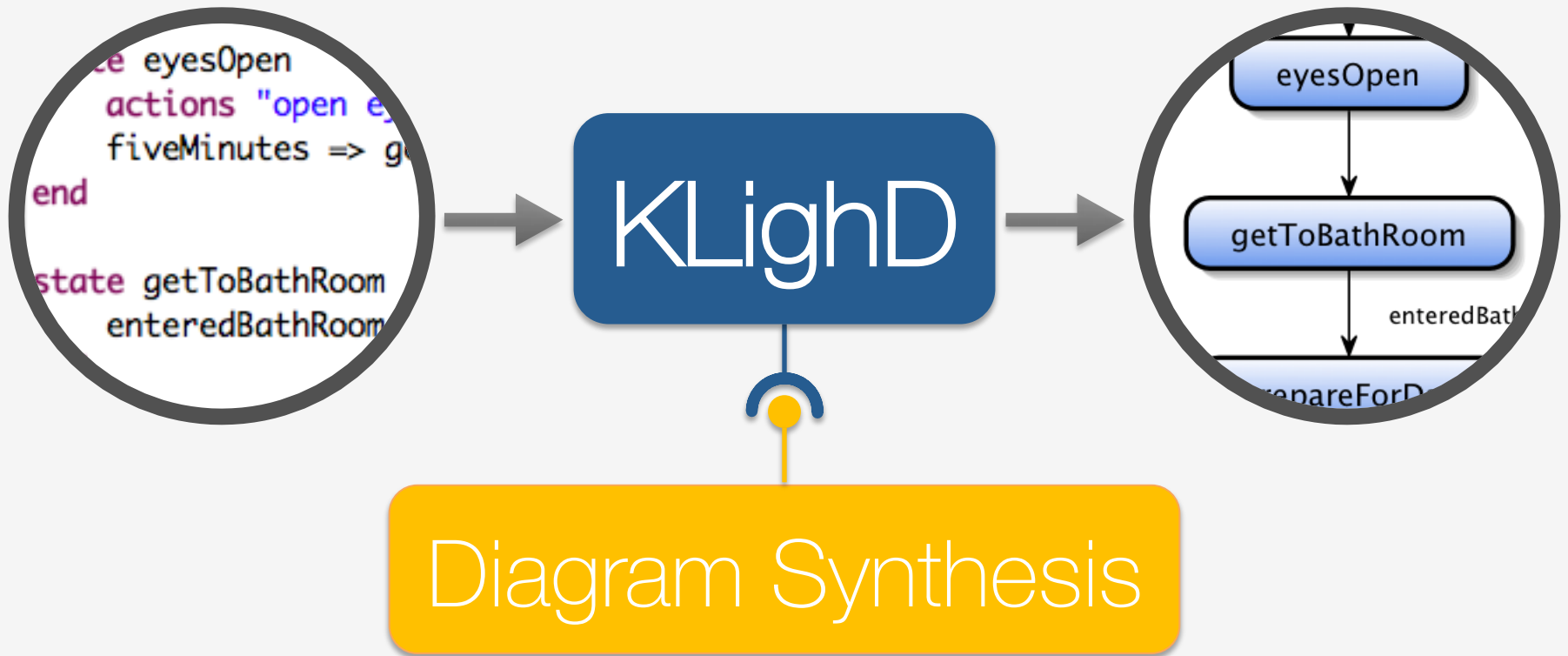
Christian Schneider

Realtime & embedded systems group, CAU Kiel

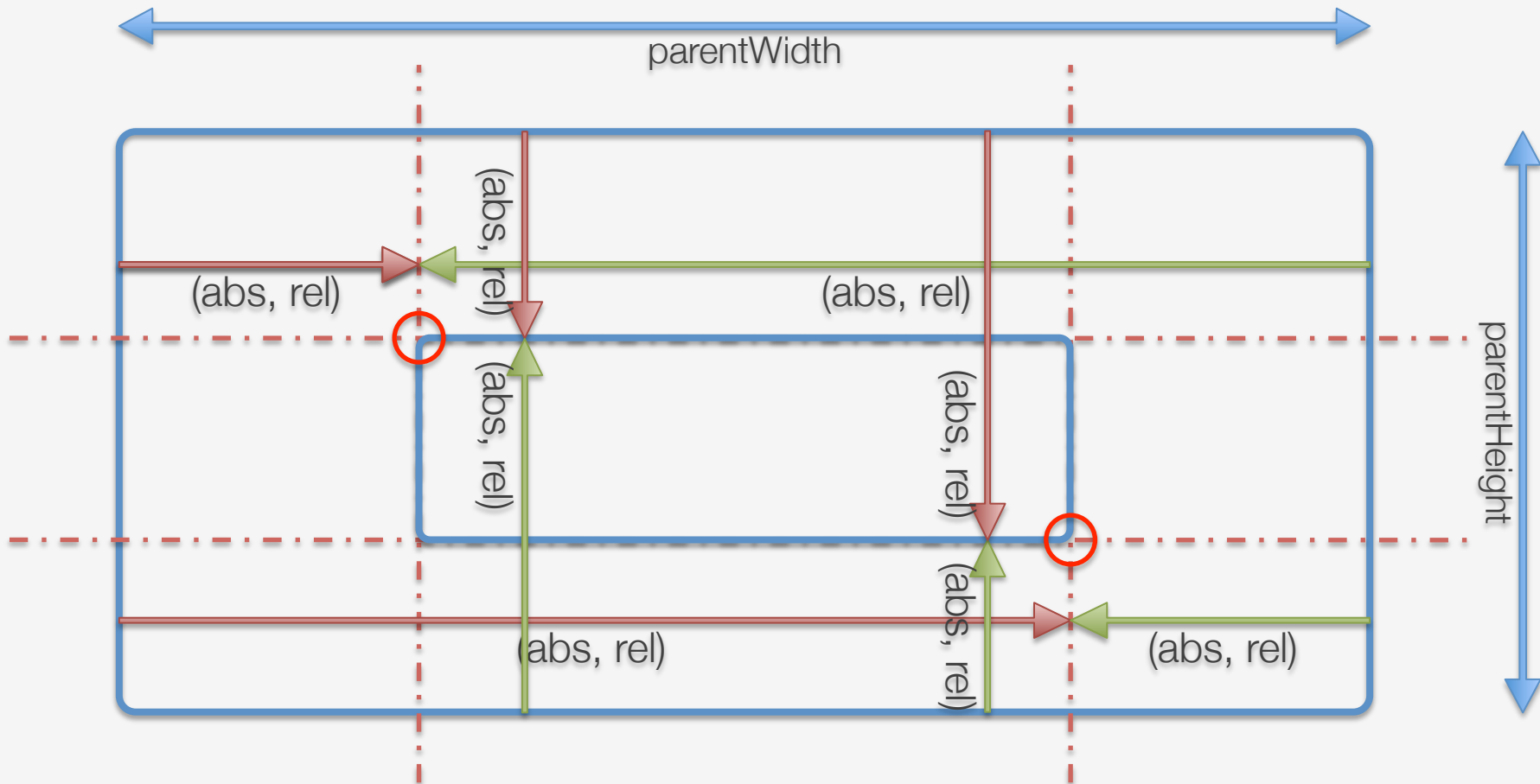
@xttextCon 2015 (20.05.2015)

Challenge:

Get diagrams usable for SW devs

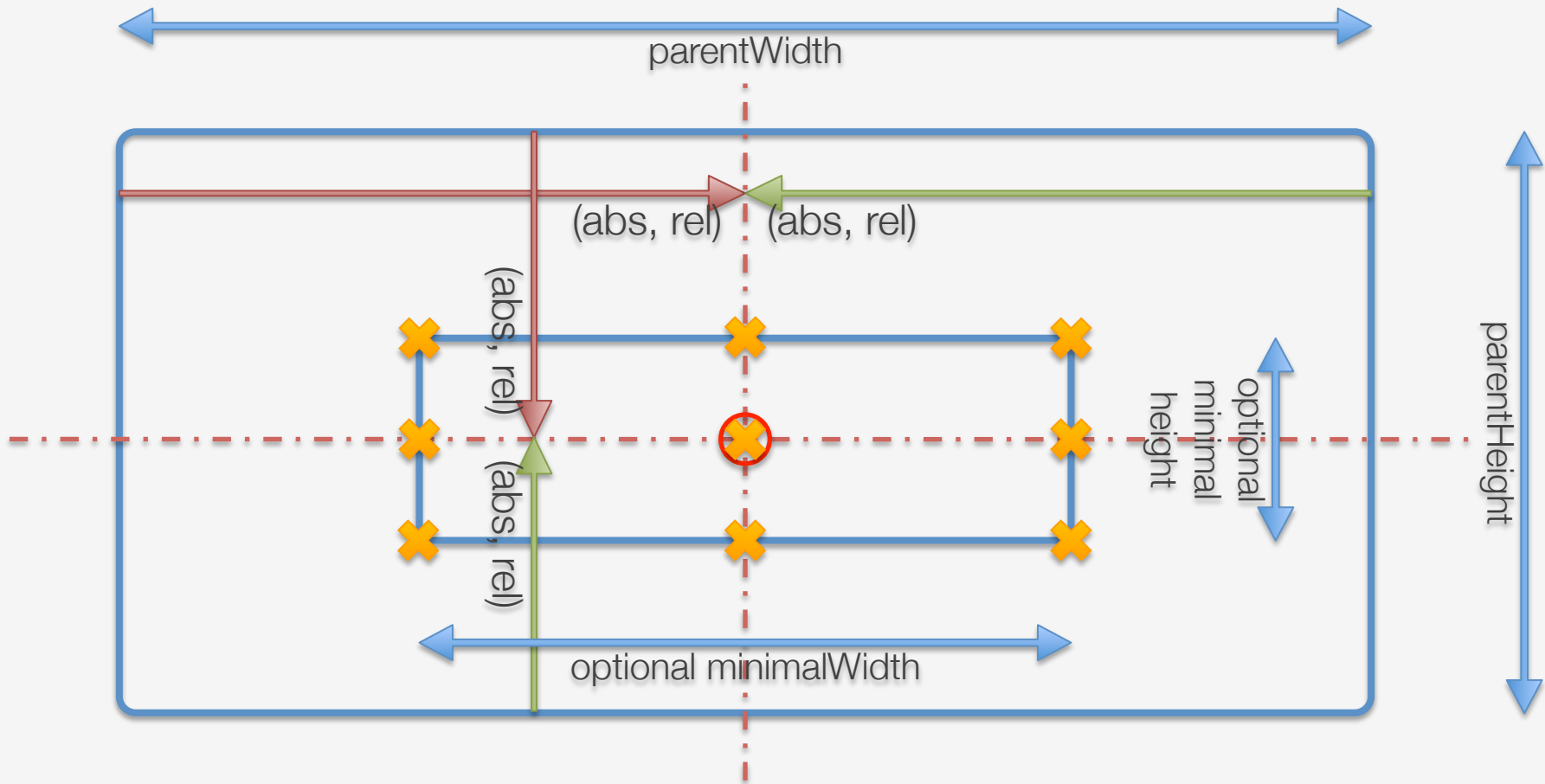


Microlayout: Area-based placement



While determining the x part of the positions denoted by \bigcirc refer **either** to **left** or **right**, and compute $parentWidth * rel + abs$;
refer **either** to **top** or **bottom** and $parentHeight$ for the y part

Microlayout: Point-based placement



anchor point is positioned within the parent via $(abs, rel) \times parentSize$
horizontal & **vertical** child alignment (**left/center/right** & **top/center/bottom**)
yield 9 possible “virtual” anchoring point positions on child side

Try it on your own today!

- Ask Google for
 - KLightD
 - KIELER updatesite nightly
- Provide feedback:
 - <http://kwiksurveys.com/s/ghurfbO2>
- Checkout OpenKieler on GitHub



KIELER

**Kiel Integrated Environment
for Layout Eclipse RichClient**