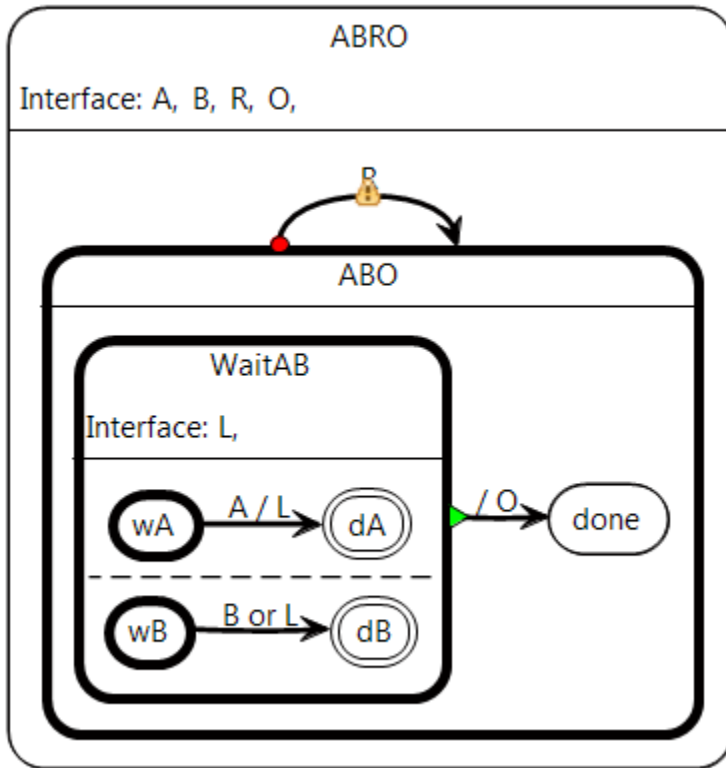


Interfaces declarations

Interfaces declarations in KIELER SyncCharts

Signals are defined within a macrostate. They are visible in this macrostate and the children states.



Interfaces declarations in Yakindu SCT

Declarations in the interface scope are externally visible.

Declarations made in an internal scope are only visible for contained states.

All declarations are made in the interface scope.

Interface declarations on region level are more complex. They are not planned at the moment. Regions are no scoped elements.

```
TrafficLightWaiting

interface TrafficLight:
  var
  red:boolean

  var
  yellow:boolean

  var green:boolean

interface Pedestrian:
  var
  request:boolean

  var
  red:boolean

  var green:boolean

interface:
  in event
  pedestrianRequest

  in event onOff
```

